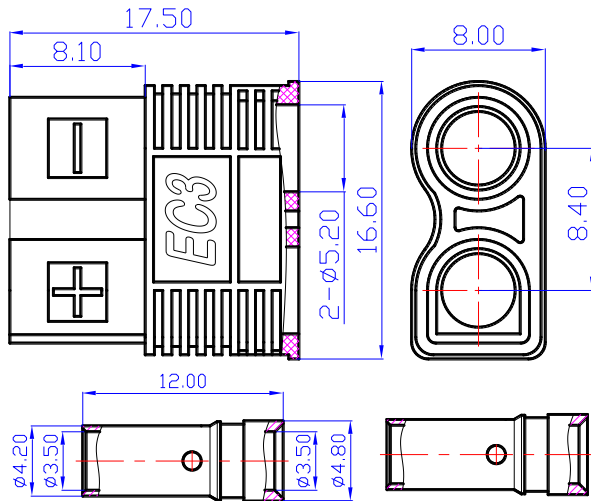


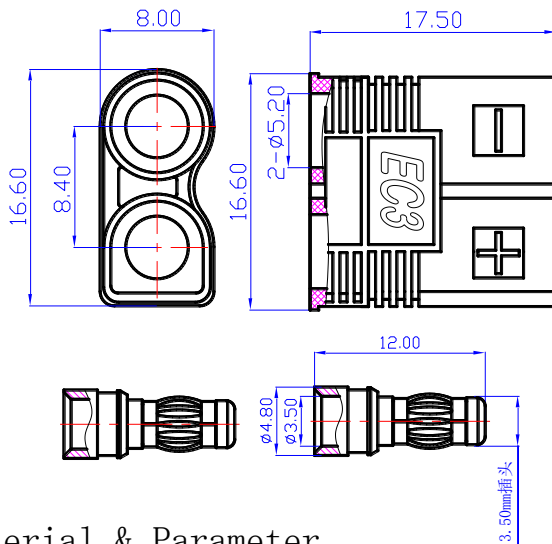
DC EC3



EC3-M

Material & Parameter

| | | | |
|------------------|-------------------|-------------|--------------|
| Item No. | EC3-M | CR | 0.60mΩ |
| COLOR | 5 | | DC 500V |
| Metal Material | Brass Gold Plated | RC | 25A |
| Plastic Material | PA | MC | 50A |
| FR LEVEL | UL94 V0 | USE TIMES | 1000 TIMES |
| Recommend USE | BATTERY | Cable SPEC. | 14AWG |
| CERTIFICATION | --- | TEMPERATURE | -20℃ to 120℃ |



EC3-F

Material & Parameter

| | | | |
|------------------|-------------------|-------------|--------------|
| Item No. | EC3-F | CR | 0.60mΩ |
| COLOR | 5 | | DC 500V |
| Metal Material | Brass Gold Plated | RC | 25A |
| Plastic Material | PA | MC | 50A |
| FR LEVEL | UL94 V0 | USE TIMES | 1000 TIMES |
| Recommend USE | CONTROLLER | Cable SPEC. | 14AWG |
| CERTIFICATION | --- | TEMPERATURE | -20℃ to 120℃ |