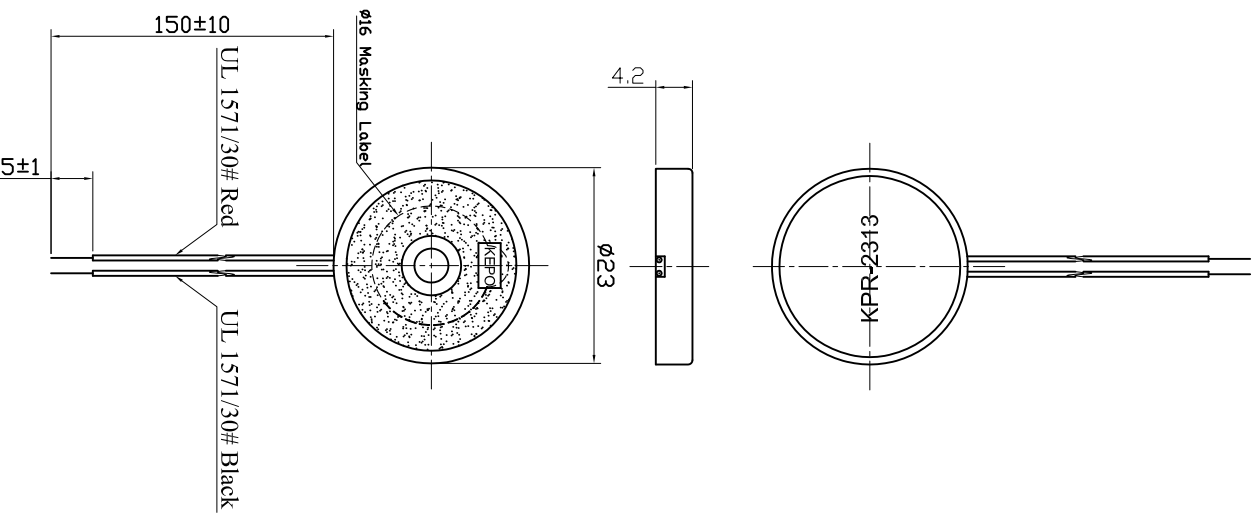


受 控

## SPECIFICATION

1. Rated Voltage .....12V-p-p Square Wave
2. Max. Allowable Voltage .....30V-p-p Square Wave
3. Max. Rated Current .....3mA at 12V-p-p/4.0KHz
4. Min. Sound Pressure Level.....80dB at 12V-p-p/4.0KHz/30cm
5. Capacitance at 120Hz .....30000pF±30%
6. Resonant Frequency .....4.0±0.5KHz.
7. Case Material.....ABS/Black
8. Operating Temperature .....-20~+60°C
9. Store Temperature .....-30~+70°C
10. Weight .....2g



No.	DESCRIPTION	APPROVED	DATE	<b>KEPO</b> NINGBO KEPO ELECTRONIC CO.,LTD <a href="http://www.chinaacoustic.com">http://www.chinaacoustic.com</a> Piezo transducer QUARTZ-1 KPR-2313-1916	
	APPROVALS	DATE			
	CHECKED				
90° FORWARD ±° FIRST ANGLE PROJECTION		APPROVED	SCALE	UNIT	DWG. NO.
		梁树棠	12.07.06	mm	OEM1916
				SCALE	SHEET
				NOT TO SCALE	VER 1.1