

FUSE AND FUSE HOLDER



Cell Box Series

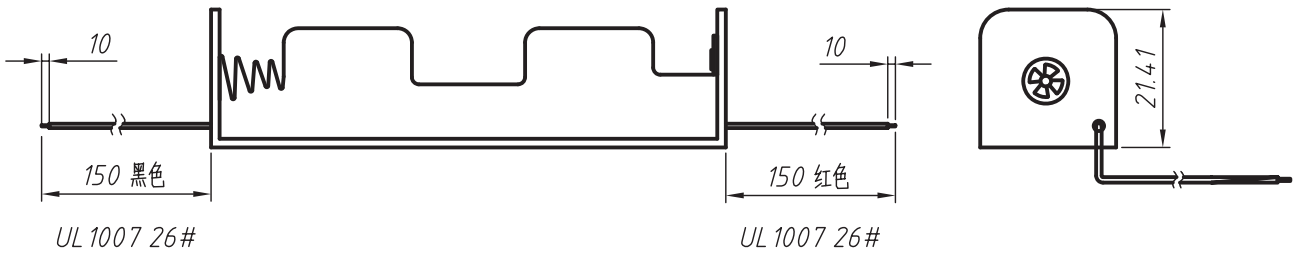
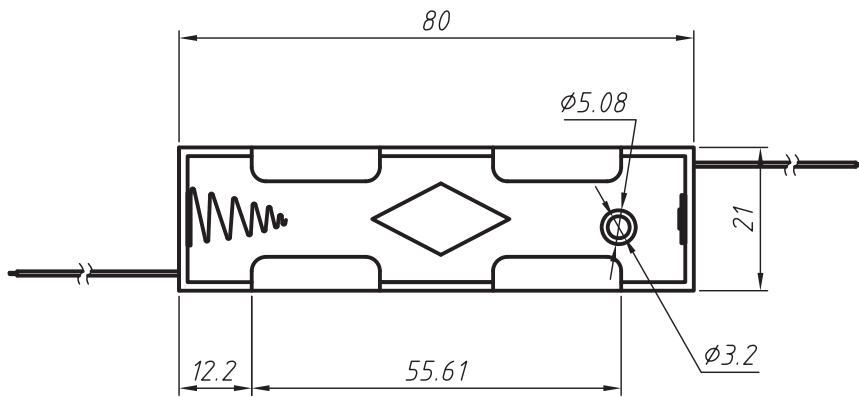
KLS5-18650-L150mm 18650 Battery Holder Case Box with Leads

Technical parameters:

Color:Black
Wire: UL 1007, # 24 AWG
Black & Red: 150mm ± 5mm
Dimension:80*21*21.41mm

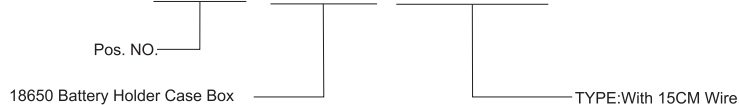
Material:

Holder:PP
Rivets: Brass, nickel plated
Spring: 72A steel, ϕ 0.5, nickel-plated



ORDER INFORMATION

Product NO.: KLS5-18650-L150mm



FUSE AND FUSE HOLDER



Cell Box Series

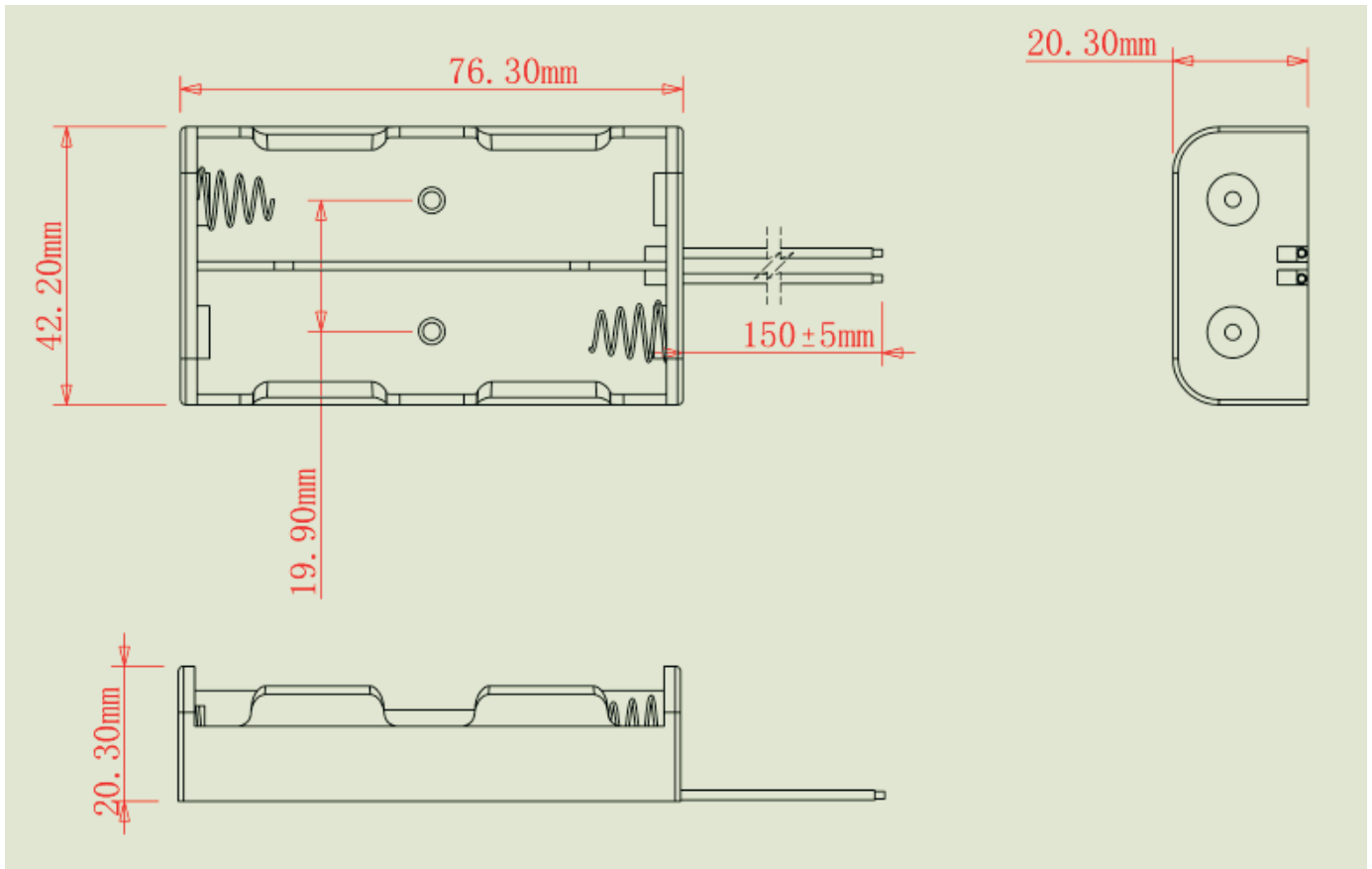
KLS5-18650-L150mm 18650 Battery Holder Case Box with Leads

Technical parameters:

Color:Black
Wire: UL 1007, # 24 AWG
Black & Red: 150mm ± 5mm
Dimension:80*21*21.41mm

Material:

Holder:PP
Rivets: Brass, nickel plated
Spring: 72A steel, φ 0.5, nickel-plated



ORDER INFORMATION

Product: **KLS5-18650-2W-L150**

